



Universal Clips

The Largest Manufacturer of Worm-drive Hose Clamps in Southern Africa.

SUPEREX CLAMPS

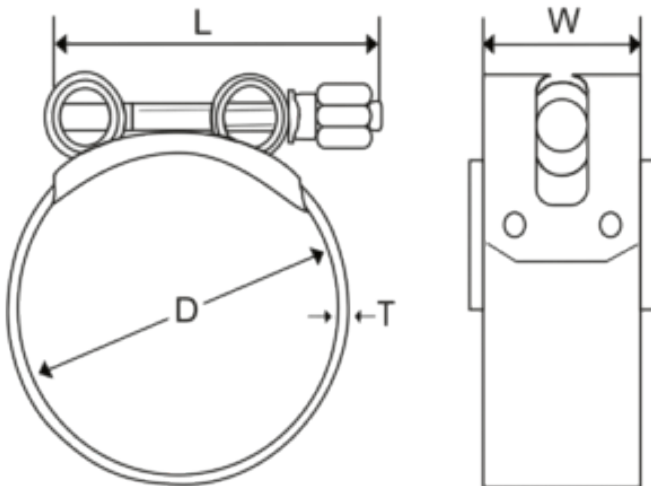


The Original SUPEREX clamp designed for Agricultural and Irrigation applications but is also perfectly suited to Industrial, Mining and many other applications. The design includes 3 welding points for increased strength and security, while the specially designed hollow trunnions reduce tensile pressure on the bolt ensuring optimum transfer of the applied torque.

The Smooth underside and rolled up band edges are gentle on hose and reduce risk of leakage, which when combined with the swivel tongue provides an all round seal. The standard range is manufactured totally using zinc plated mild (carbon) steel band and components "W1".

Available on request in :

- "W2" - 400 series band with mild steel components
- "W4" - all 304 stainless steel.



W= BAND WIDTH D= DIAMETER SIZE
T= BAND THICKNESS L= BOLT LENGTH

Part No.	"D" size mm	Bolt "L"	Band Width "W" mm	Thickness "T" mm	Carton Qty
1RM017019	17-19	M5x40	18	0,6	100
1RM020022	20-22				100
1RM023025	23-25				100
1RM026028	26-28				100
1RM029031	29-31	M6x50	20	0,8	50
1RM032035	32-35				50
1RM036039	36-39				50
1RM040043	40-43				50
1RM044047	44-47	M7x60	22	1,2	75
1RM048051	48-51				75
1RM052055	52-55				50
1RM056059	56-59				50
1RM060063	60-63	M8x75	24	1,5	50
1RM064067	64-67				50
1RM068073	68-73				50
1RM074079	74-79				30
1RM080085	80-85	M8x85	24	1,5	30
1RM086091	86-91				30
1RM092097	92-97				25
1RM098103	98-103				25
1RM104112	104-112	M10x95	26	1,5	25
1RM113121	113-121				20
1RM122130	122-130				20
1RM131139	131-139				25
1RM140148	140-148	M10x105	26	1,5	25
1RM149161	149-161				20
1RM162174	162-174				20
1RM175187	175-187				20
1RM188200	188-200	M10x105	26	1,5	15
1RM2014213	201-213				15
1RM214226	214-226				15
1RM227239	227-239				15
1RM140252	240-252	M10x105	26	1,5	15
1RM253265	253-265				10
1RM266278	266-278				10
1RM279291	279-291				5
1RM292304	292-304				5

Variations available on request. E&OE

Our company policy is one of continuous product innovation and we reserve the right to change specifications without notice. Any such changes would benefit customers and be driven by our response to market requirements and changing specifications

Clamps that Torque-up & Grip-Tight. Hoses know!



Universal Clips CC

Reg No 2006/107878/23

6 Factory Street, Industria North, Johannesburg
P O Box 58124, Newville, 2114 • E-mail:uniclips@uniclips.co.za
Tel: +27 11 477-1310 Telefax: +27 11 477-7476



Certified by DQS
ISO/TS 18949 : 2009
ISO 9001 : 2008
Reg. No. 327896