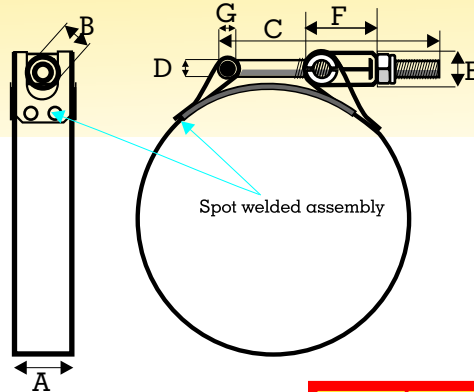




Universal Clips

The Largest Manufacturer of Worm-drive Hose Clamps in Southern Africa.

FULL STAINLESS T-Bolt Clamp



Measurements common to all 'T-Bolt' clamps



'T' Bolt Clamps

- A • 19mm
- B • 10mm
- C • 74mm
- D • M6
- E • 10.3mm
- F • 24mm
- G • 6.5mm

PRODUCT CODE	RANGE mm		RANGE inches	
	MIN	MAX	MIN	MAX
TB 42	56	63	2-1/4	2-1/2
TB 46	58	65	2-5/16	2-9/16
TB 50	64	70	2-1/2	2-3/4
TB 56	66	74	2-5/8	2-15/16
TB 62	71	78	2-13/16	3-1/16
TB 68	76	84	3	3-5/16
TB 72	79	87	3-1/8	3-7/16
TB 74	81	88	3-3/16	3-1/2
TB 76	83	90	3-1/4	3-9/16
TB 80	86	94	3-3/8	3-11/16
TB 84	89	97	3-1/2	3-13/16
TB 92	95	103	3-3/4	4-1/16
TB 100	100	108	3-5/16	4-1/2
TB 106	106	114	4-3/16	4-1/2
TB 108	108	116	4-1/4	4-9/16
TB 110	109	118	4-1/4	4-5/8
TB 116	114	122	4-1/2	4-13/16
TB 120	117	125	4-5/8	4-15/16
TB 126	122	129	4-13/16	5-1/16
TB 134	129	137	5-1/16	5-3/8
TB 138	132	140	5-3/16	5-1/2
TB 142	134	141	5-1/4	5-9/16
TB 144	137	145	5-3/8	5-3/4
TB 148	140	148	5-1/2	5-13/16
TB 154	144	152	5-3/4	6-1/16
TB 158	148	156	5-13/16	6-1/8
TB 164	152	160	6	6-5/16
TB 170	158	165	6-1/4	6-1/2
TB 174	160	167	6-5/16	6-9/16
TB 180	166	173	6-1/2	6-13/16
TB 186	171	178	6-3/4	7
TB 196	178	186	7	7-5/16
TB 208	188	195	7-3/8	7-11/16
TB 212	191	198	7-1/2	7-13/16
TB 218	195	203	7-11/16	8
TB 228	205	213	8-1/16	8-3/8
TB 230	210	218	8-1/4	8-9/16
TB 242	215	222	8-1/2	8-3/4

Ideal for heavy duty applications where standard worm-drive clamps are likely to be inadequate.

The T-Bolt clamp with tangentially set bolt, is the universal choice, where heavy clamping forces are required. Such as heavy vehicle, industrial, agricultural and marine applications.

The full stainless steel T-Bolt clamp comprises of a stainless steel "T" bolt and nut, combined with a 300 Series stainless steel band and trunnion.

The strong one-piece stainless steel trunnion and 'Nylok' nut allow for socket or spanner application.

The solid band with guided liner provides full 360 degree sealing pressure. Spot welded assembly for extra strength.



Our company's policy is one of continuous product innovation, and we reserve the right to change specifications without notice. Any such changes would benefit customers and be driven by our response to market requirements and changing specifications

MANUFACTURED IN SOUTH AFRICA



Clamps that Torque-up & Grip-Tight. Hoses know!

Universal Clips CC Reg No 2006/107878/23

6 Factory Street, Industria North, Johannesburg
 P O Box 58124, Newville, 2114 • E-mail:uniclips@uniclips.co.za
 Tel: +27 11 477-1310 Telefax: +27 11 477-7642 / 7476

Other sizes specials are available on request.



Certified by DQS
 ISO/TS 16949
 ISO 9001
 Reg. No. 327896